



KM-1100M_J


MODULAR CRESCENT CUBER





KM-1100M_J
09/12/19
Item # 13218

Item #: _____
Project: _____
Qty: _____
AIA#: _____

Features

- ▶ Individual crescent cube
- ▶ Stainless steel evaporator
- ▶ CycleSaver™ design 

- Up to 1156 lbs. of ice production per 24 hours
- Mount two units, side-by-side, for 2,312 lbs. per 24 hours (in only 60" of floor space)
- Durable stainless steel exterior
- Protected by H-Guard Plus  Antimicrobial Agent
- EverCheck™ alert system 
- Removable air filters (Air-cooled model only)
- R-404A Refrigerant

Available on Bins:

B-500PF/SF B-800PF/SF B-1150SS B-1500SS*
B-700PF/SF B-900PF/SF B-1300SS B-1650SS*

*Top kit may be required. See Bin Spec Sheets. *Two unit application only.*

Warranty:

3 Year Parts & Labor on entire machine. 5 Year Parts & Labor on Evaporator. 5 Year Parts on Compressor; air-cooled condenser coil. Valid in United States, Canada, Puerto Rico and U.S. Territories. Contact factory for warranty in other countries.

Shipping: (LxWxH) 33.75" x 33.25" X 38" Volume: 24.82ft³

W x D x H
30" x 27^{3/8}" x 32^{1/2}"

KM Edge DESIGN

KM-1100MAJ
Air-Cooled

Shown on optional bin B-500

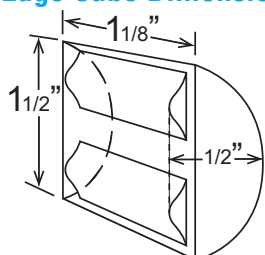
KM-1100MWJ
Water-Cooled

KM-1100MRJ
Remote Air-Cooled



Condenser	Model	ICE PRODUCTION		WATER USAGE			ELECTRICAL				Heat Rejection BTU/hr.	Refrigerant Charge Amount	Net / Ship Weight (lbs.)
		Air / Water Temp Lbs. per 24 hours 70°/ 50°F 90°/ 70°F	Potable Gal. per 100 lbs. 90°/ 70°F	Condenser Gal. per 100 lbs. 90°/ 70°F	kWh Used per 100 lbs. 90°/ 70°F	Max. Fuse Sz or HACR Circuit Bkr	Amperage	Voltage	Circuit Wires (including ground)				
Air	KM-1100MAJ	1087 935	19.0	N/A	4.9	20A	12.5A	208-230/60/1	3	15,700	3 lbs. 1.4 oz.	260 / 290	
Water	KM-1100MWJ	1073 1006	20.0	107	4.0	20A	9.6A	208-230/60/1	3	17,100	1 lb. 10.5 oz.	250 / 280	
Remote	KM-1100MRJ	1156 1030	18.0	N/A	4.5	20A	12.5A	208-230/60/1	3	15,600	9 lb. 11.2 oz. (with condenser)	242 / 272	

KM Edge Cube Dimensions* Operating Limits



* approximate size in inches, image not to scale

- Ambient Temp Range 45 - 100°F
- Water Temp Range 45 - 90°F
- Water Pressure 10 - 113 PSIG
- Voltage Range 187-253V

Service

- Panels easily removed and all components accessible for service.
- Allow 12" (30 cm) clearance at rear, sides, and top for proper air circulation and ease of maintenance/service.

Plumbing

- Icemaker Water Supply Line: Min. 3/8" Nominal ID Copper Water Tubing or Equivalent
- Icemaker Drain Line: Min. 3/4" Nominal ID Hard Pipe or Equivalent Water-Cooled Model (Lines Must Be Independent of Icemaker)
- Condenser Water Supply Line: Min. 3/8" Nominal ID Copper Water Tubing or Equivalent
- Condenser Drain/Return Line: Min. 3/8" Nominal ID Hard Pipe (open drain system) or Copper Water Tubing (closed loop system) or Equivalent

Water Filter

Please refer to water filter spec sheet for recommended configurations.

Hoshizaki reserves the right to change specifications without notice.



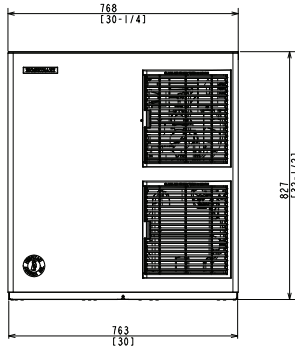
KM-1100M_J

MODULAR CRESCENT CUBER

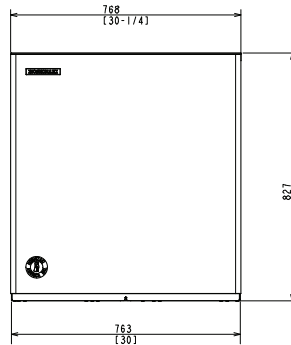


KM-1100M_J
09/12/19
Item # 13218

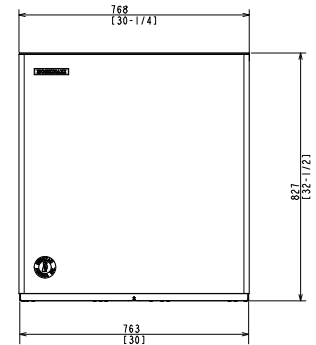
FRONT VIEW



AIR-COOLED

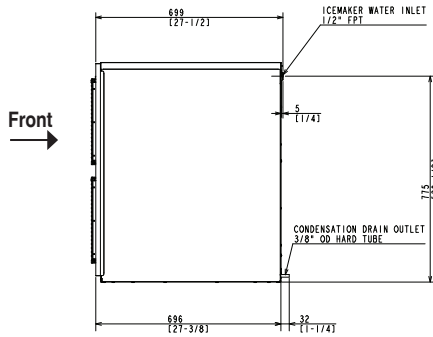


WATER-COOLED

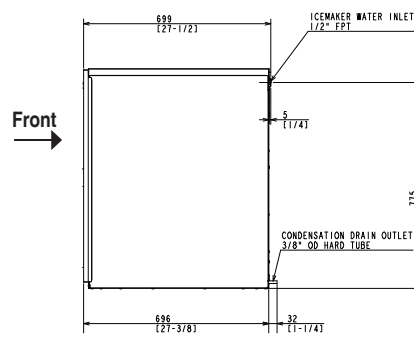


REMOTE AIR-COOLED

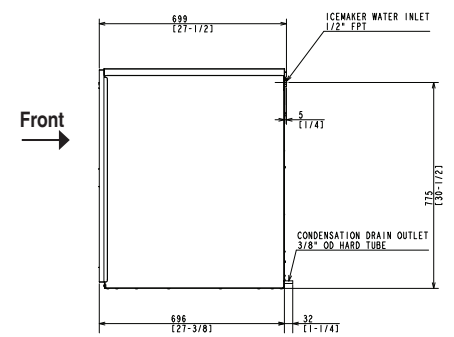
SIDE VIEW



AIR-COOLED

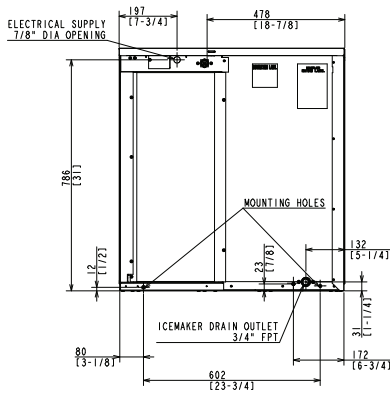


WATER-COOLED

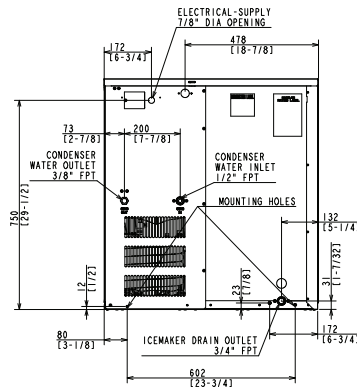


REMOTE AIR-COOLED

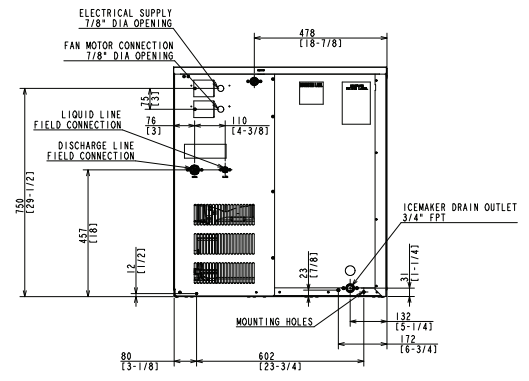
REAR VIEW



AIR-COOLED

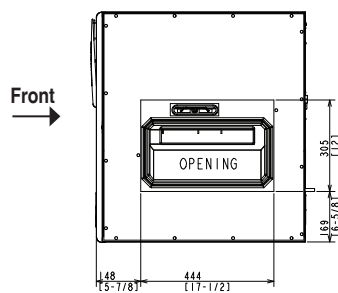


WATER-COOLED

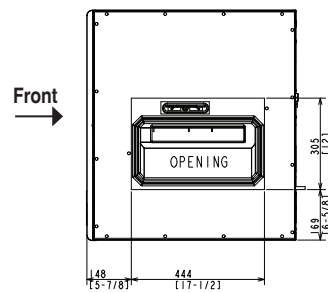


REMOTE AIR-COOLED

BOTTOM VIEW

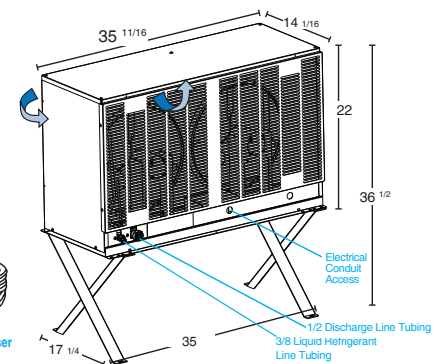


AIR-COOLED



WATER-COOLED
REMOTE AIR-COOLED

URC-14F Remote Condenser (Sold Separately)
(W x D x H) 35^{11/16} x 14^{1/16} x 36^{1/2}
For Use with KM-1100MRJ



Pre-Charged Tubing Kits (Sold Separately)
20' R404-2068-2
35' R404-3568-2
55' R404-5568-2

Voltage supply for the URC Remote Condenser is supplied from the Ice Maker. No additional circuit is required.